



C2 630 7.5A DTK

Fan Specifications

Fan Type:	Axial Duct
Diameter:	630 mm
Blade No/Angle:	12 / 17°
Drive:	Direct
Shaft Power:	5.94 kW
Max Temperature:	40°
Outlet Velocity:	18.8 m/s

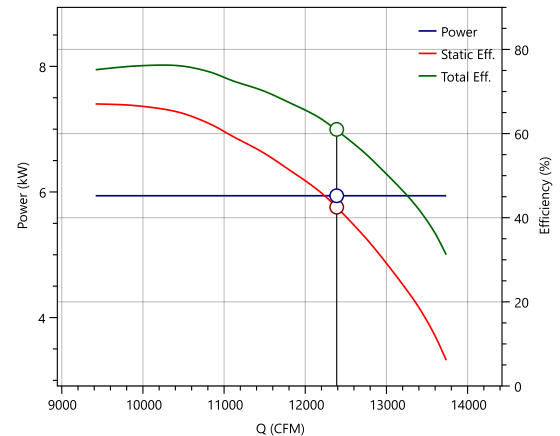
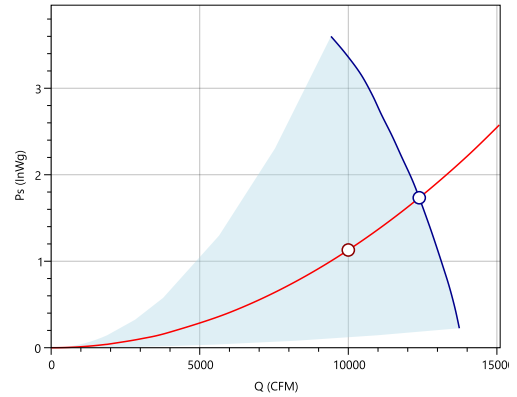
Working Conditions

Design Airflow:	10000 CFM
Design Pressure:	1 InWg
Working Airflow:	12387.6 CFM
Working Pressure:	1.73 InWg
Dynamic Pressure:	0.75 InWg
Total Pressure:	2.48 InWg
Static Efficiency:	42.5%
Total Efficiency:	61%
Air Temperature:	20 °C
Altitude:	1000 m

Motor Specifications

Motor Power:	7.5 kW
Motor Speed:	3000 rpm
Poles Number:	2
Motor Current:	13.6 A
Voltage:	400 V
Frequency:	50 Hz
IP:	55
Insulation Class:	F

Performance, Power, Efficiency Curve

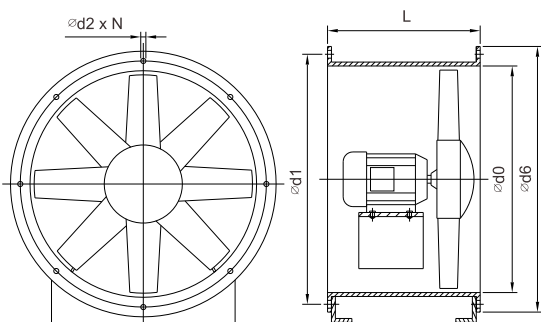


Sound Data

Distance: 3 m

Band (Hz)	63	125	250	500	1000	2000	4000	8000	Total
Lp dB(A)	48	56	65	71	74	74	68	59	79

Weight And Dimensions



Ød0	Ød1	L	Ød6	Ød2 x N	Weight (kg)
630	690	185	720	12 x 12	75

* All dimensions are in mm